

EAST COLUMN DETAIL

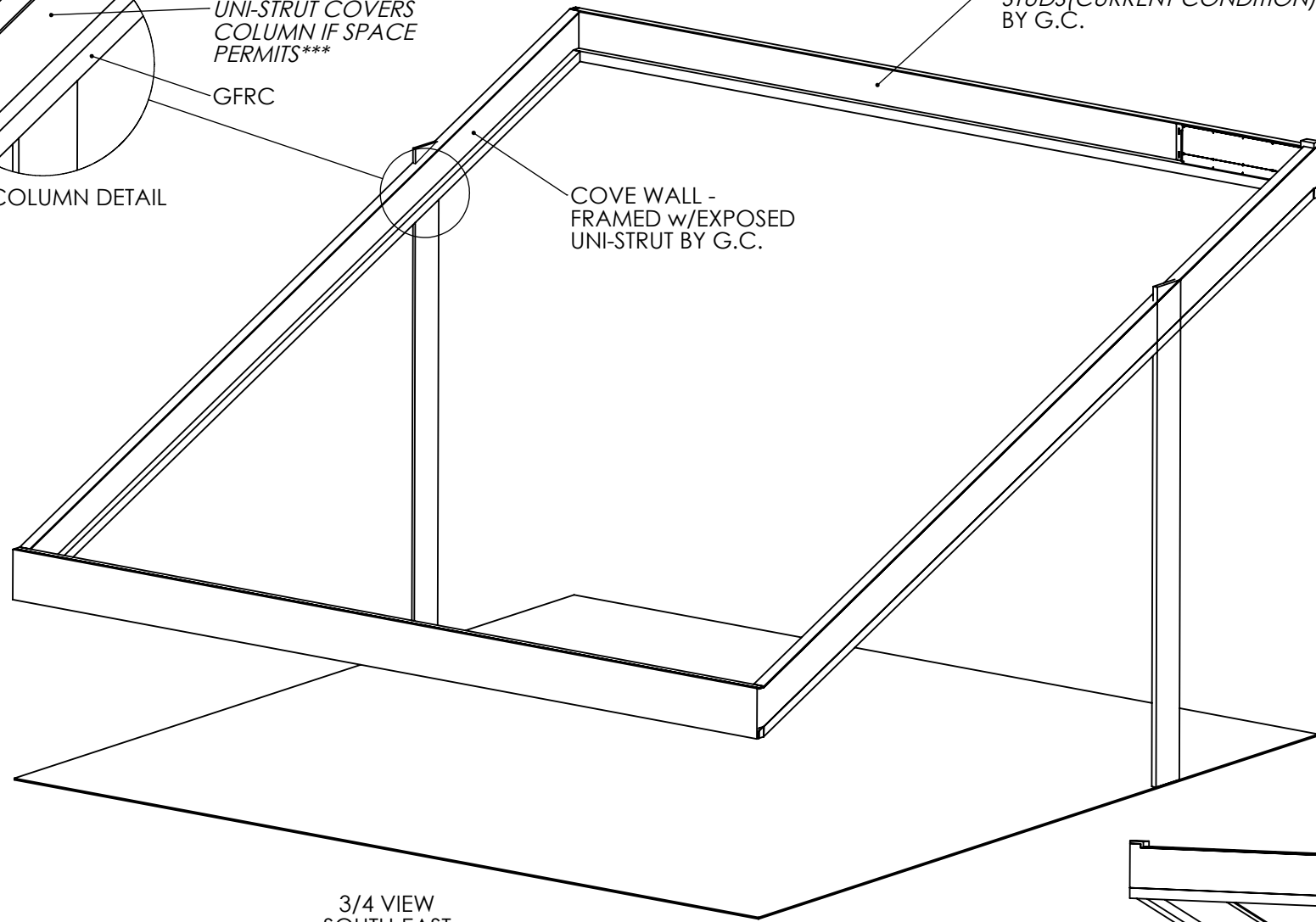
COVE WALL - (BLOCKING NEEDED HERE) STUDS (CURRENT CONDITION) COVERED w/ PLYWOOD** BY G.C.

COVE WALL - FRAMED w/ EXPOSED UNI-STRUT BY G.C.

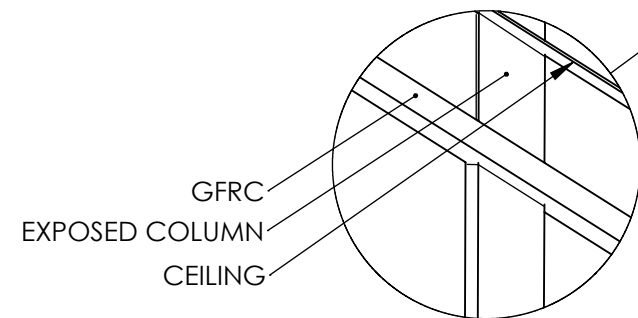
* CONFIRM FACE OR J-DECK TO FACE OF GFRC (SEE PAGE 3 & 5)

** STUDS TO FACE OF GFRC TO BE CONFIRMED PRIOR TO BLOCKING (PLYWOOD) (SEE PAGE 3 & 5)

*** WITHOUT EFFECTING THE 2" DIMENSION (FACE OF J-DECK TO FACE OF UNISTRUT) NECESSARY FOR CLEAT AND BOX MOUNTING (SEE PAGE 4 SECTION C-C)



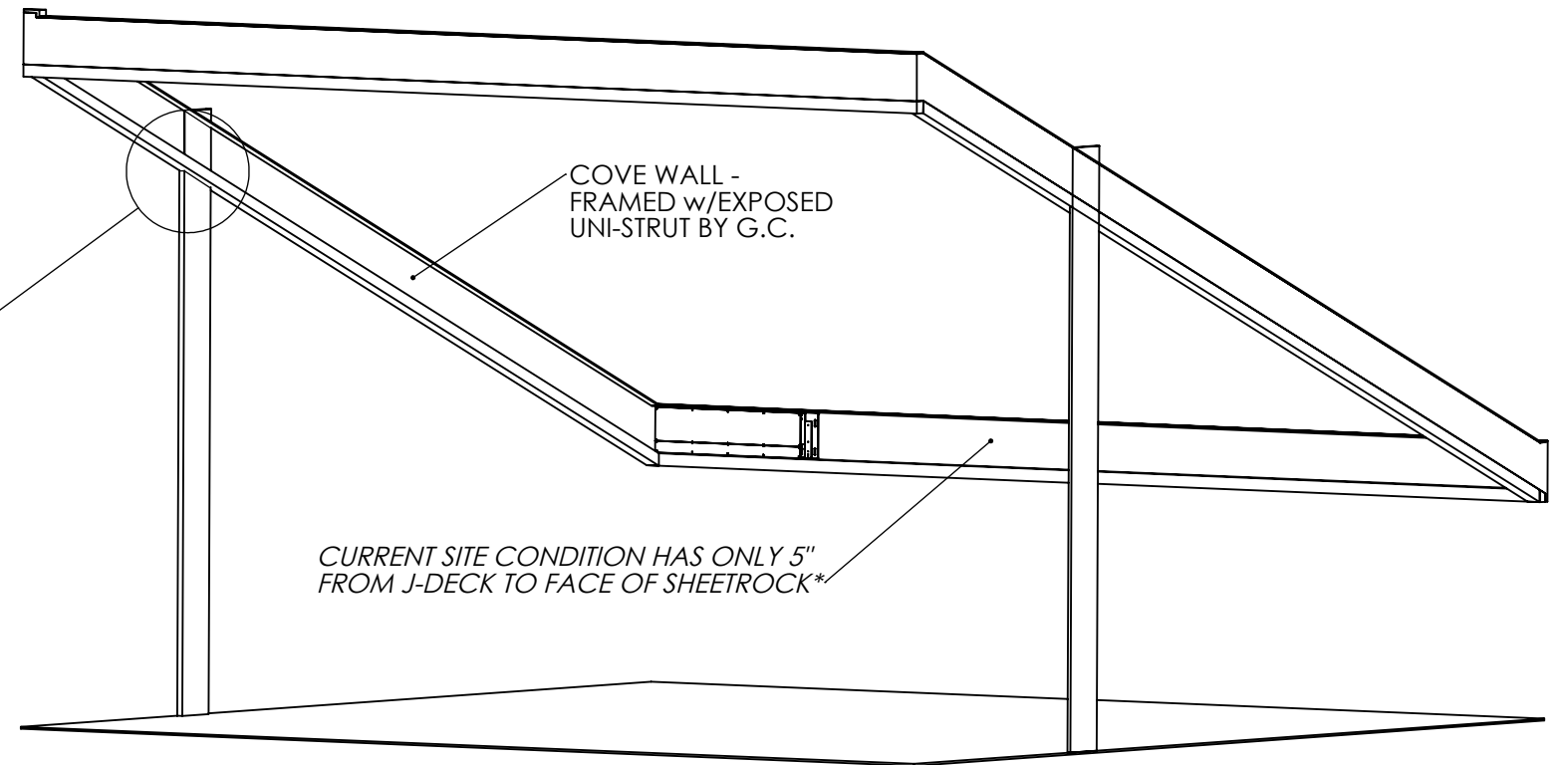
3/4 VIEW SOUTH-EAST



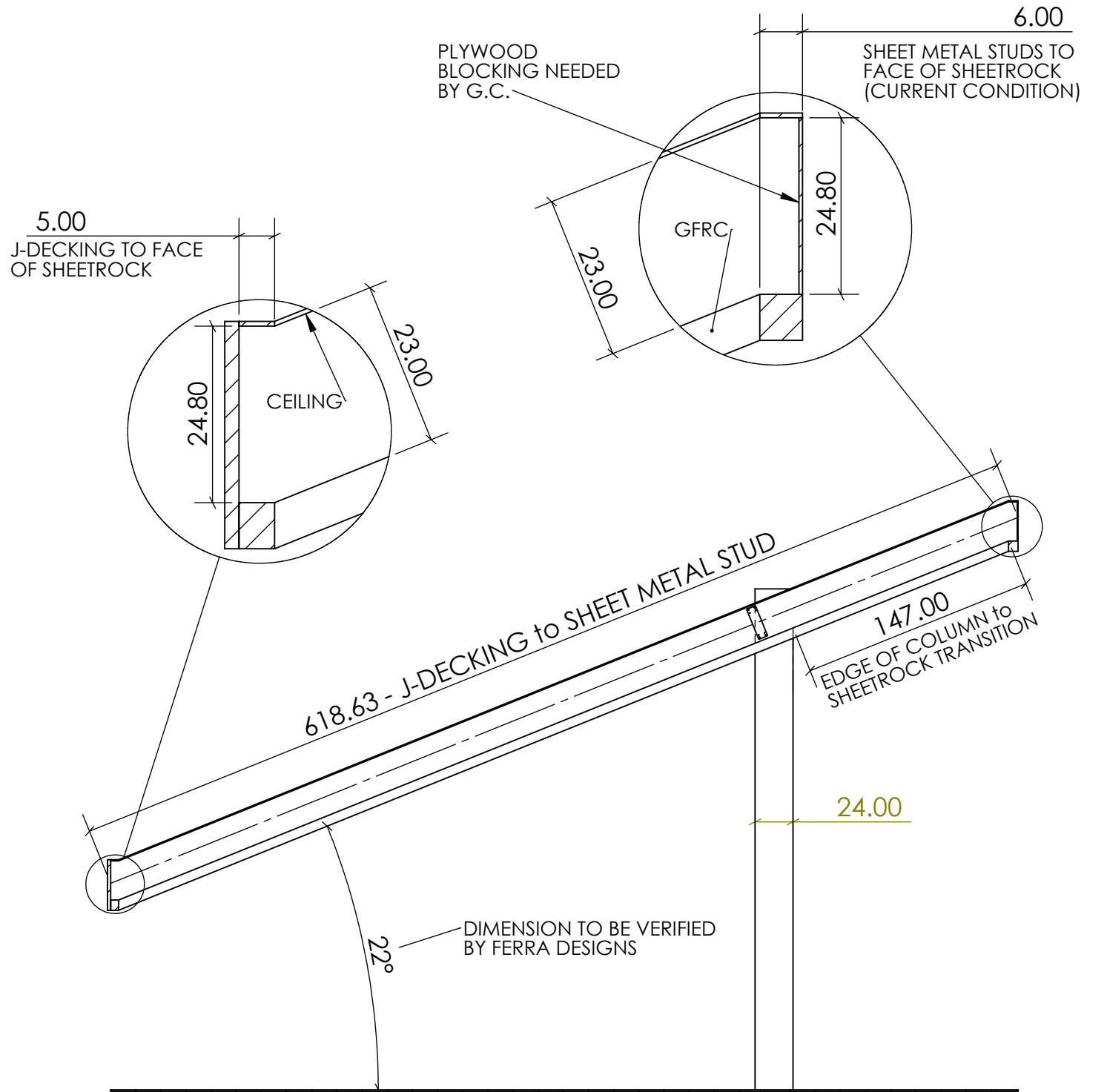
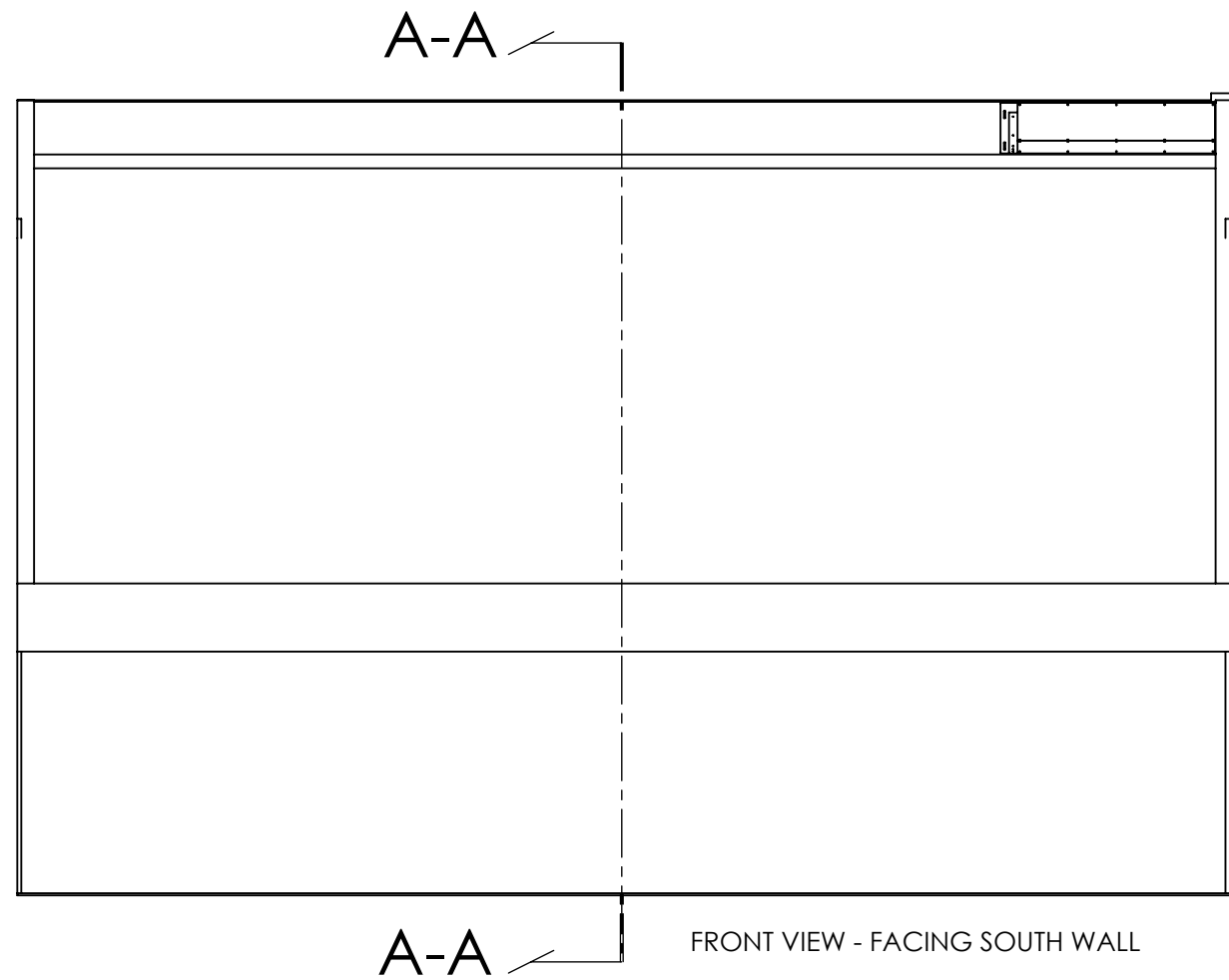
WEST COLUMN DETAIL

COVE WALL - FRAMED w/ EXPOSED UNI-STRUT BY G.C.

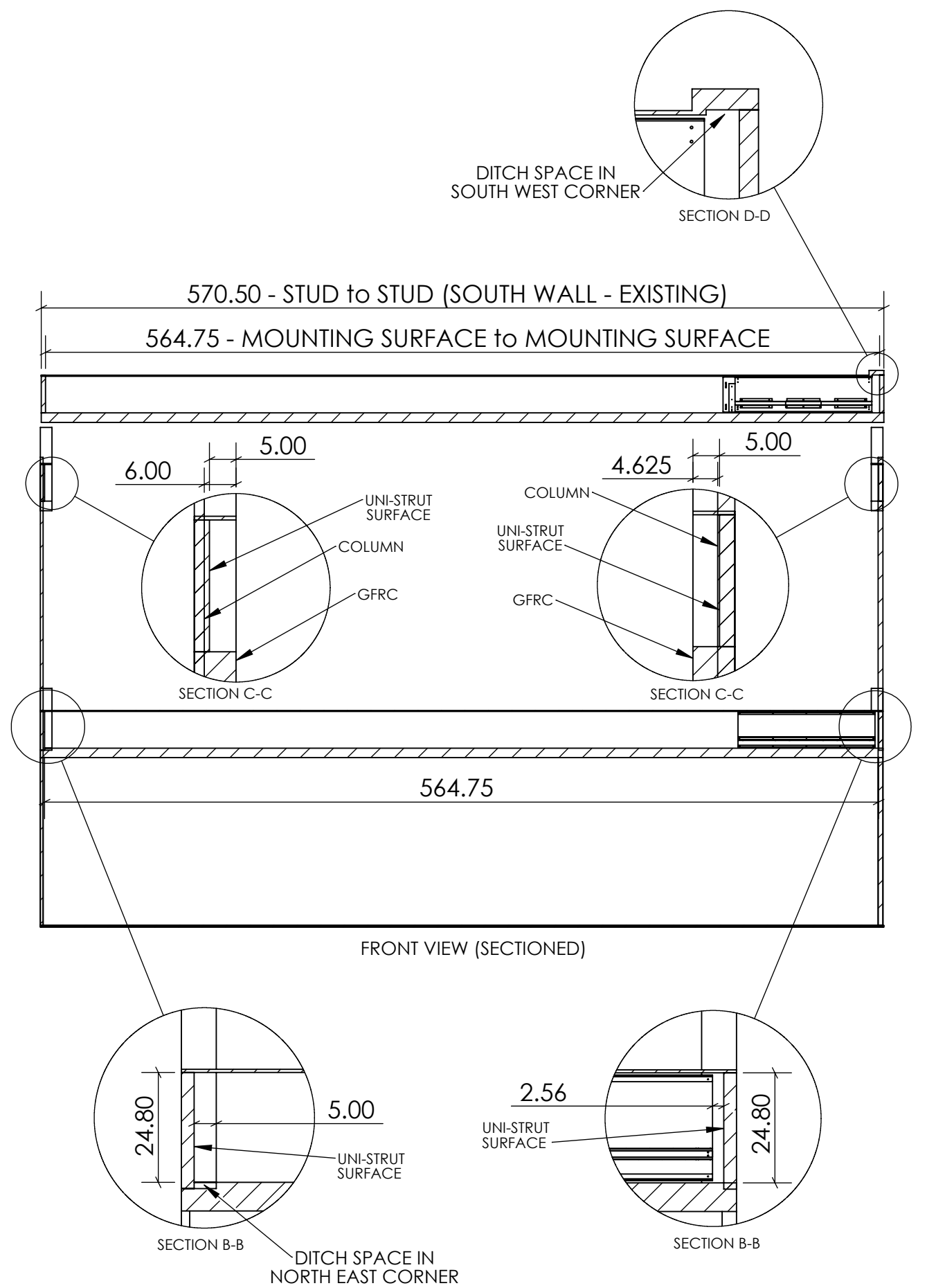
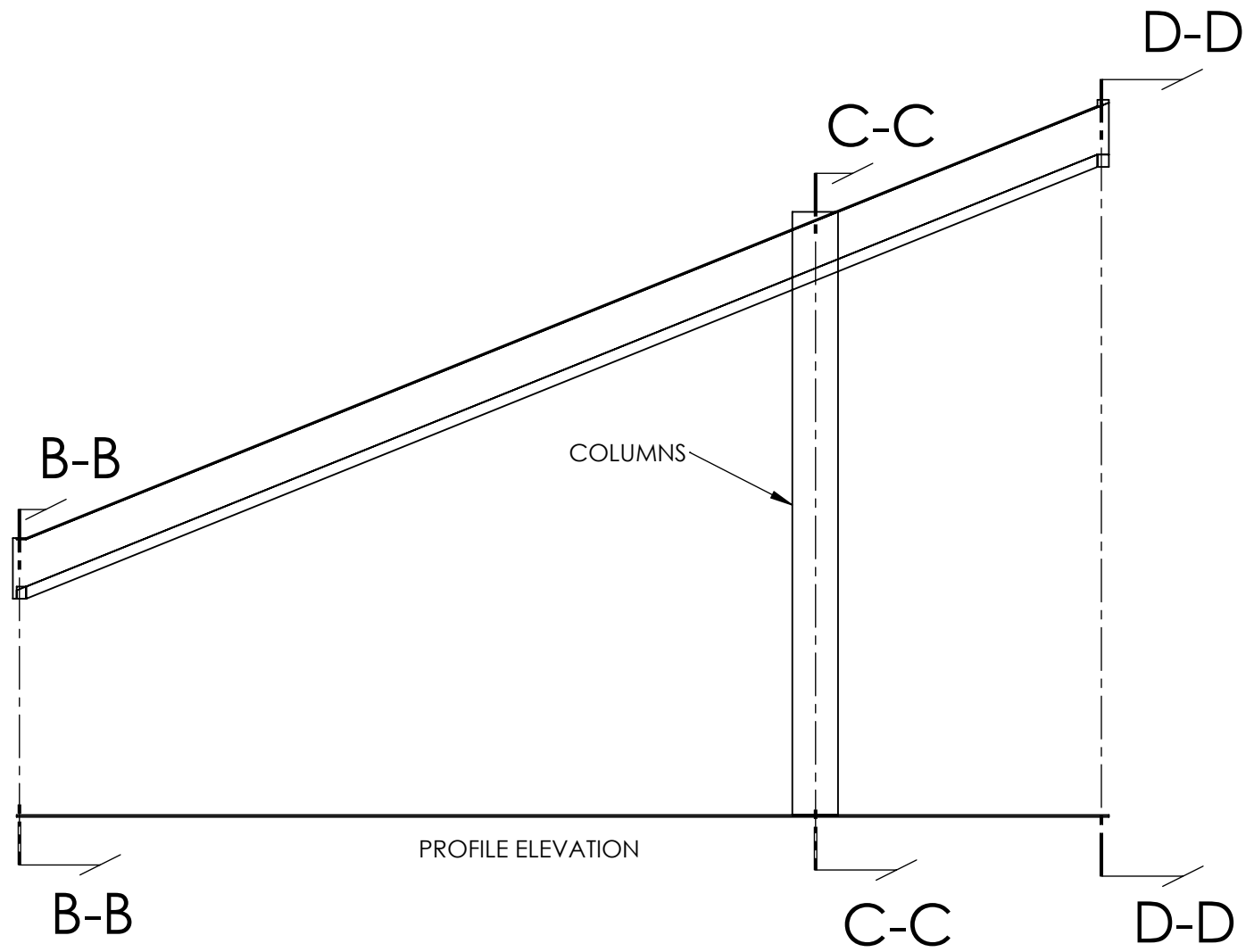
CURRENT SITE CONDITION HAS ONLY 5" FROM J-DECK TO FACE OF SHEETROCK*

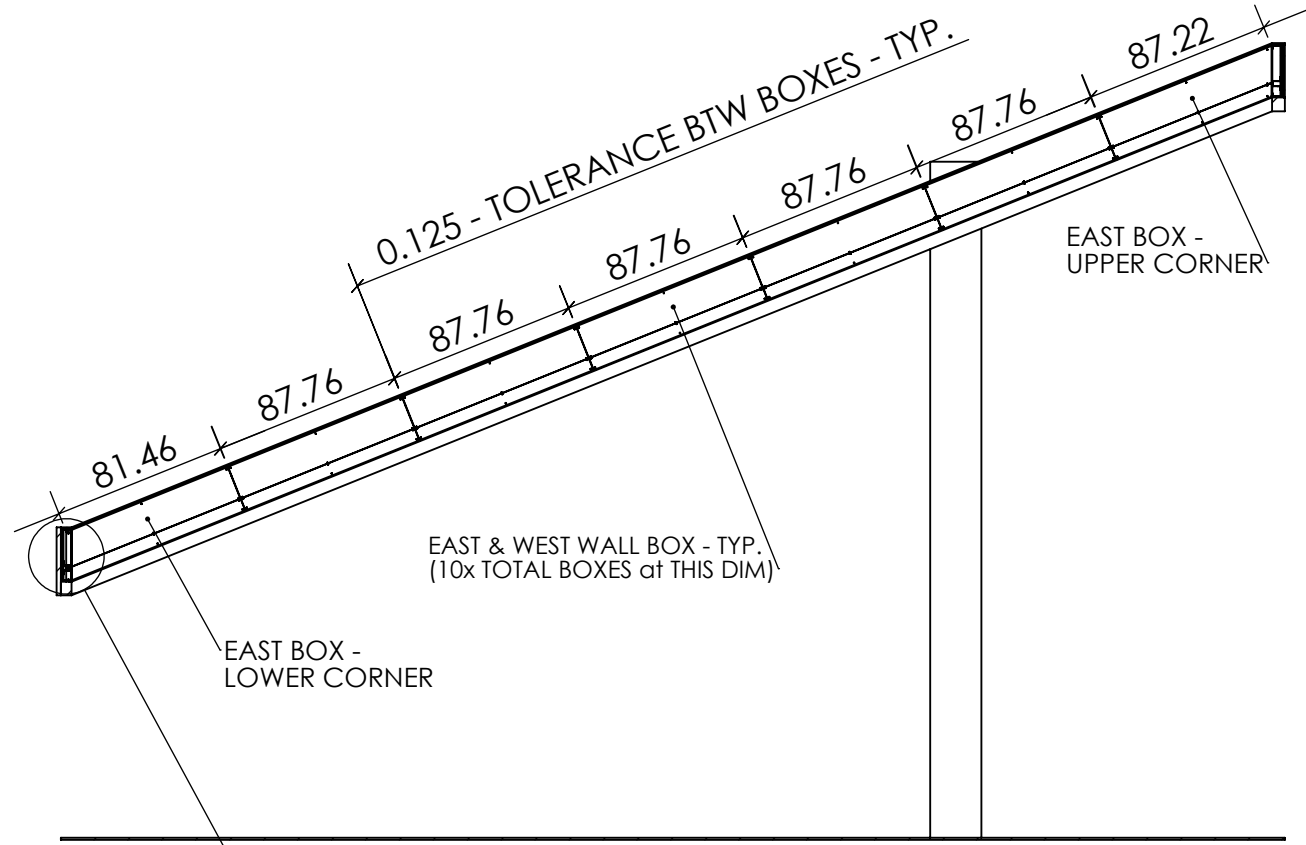
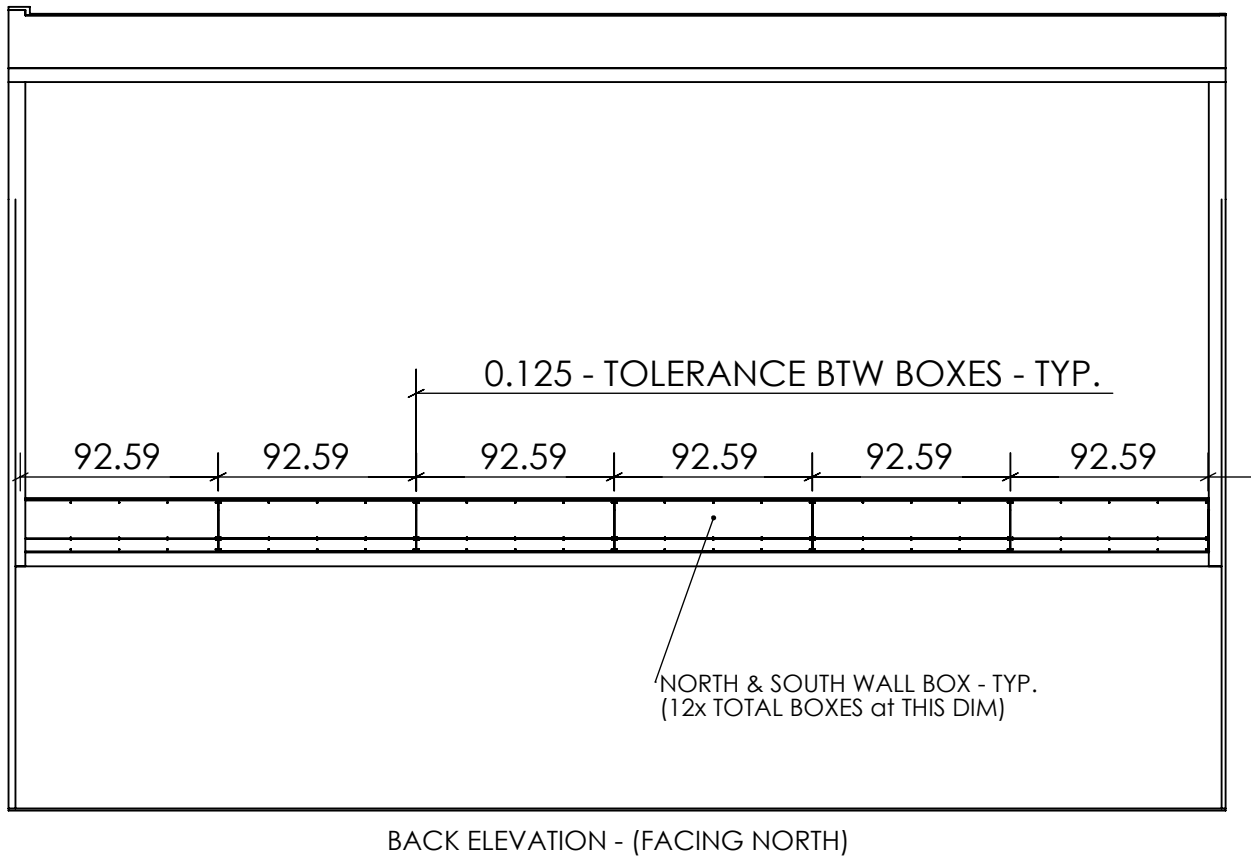
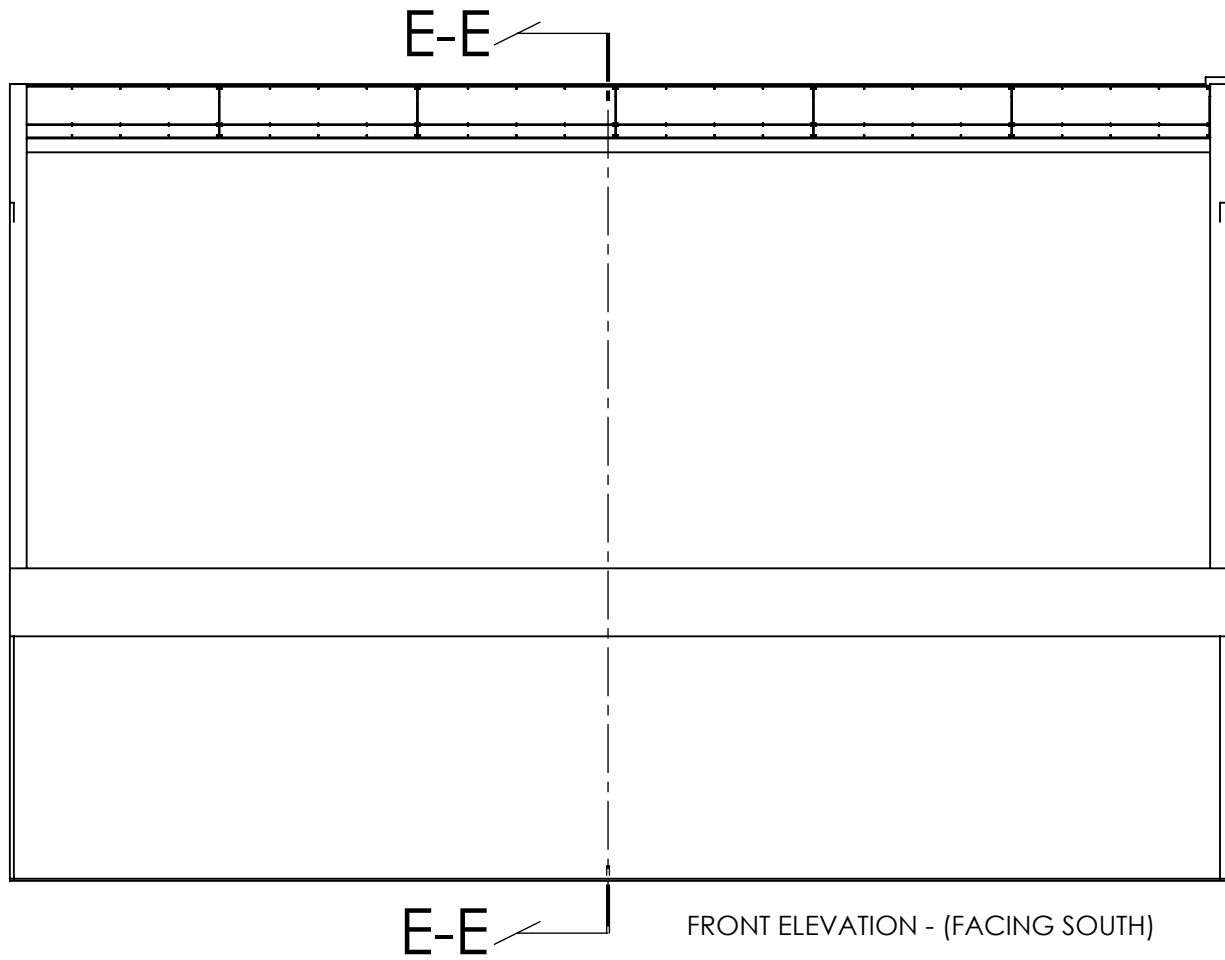


3/4 VIEW NORTH-WEST

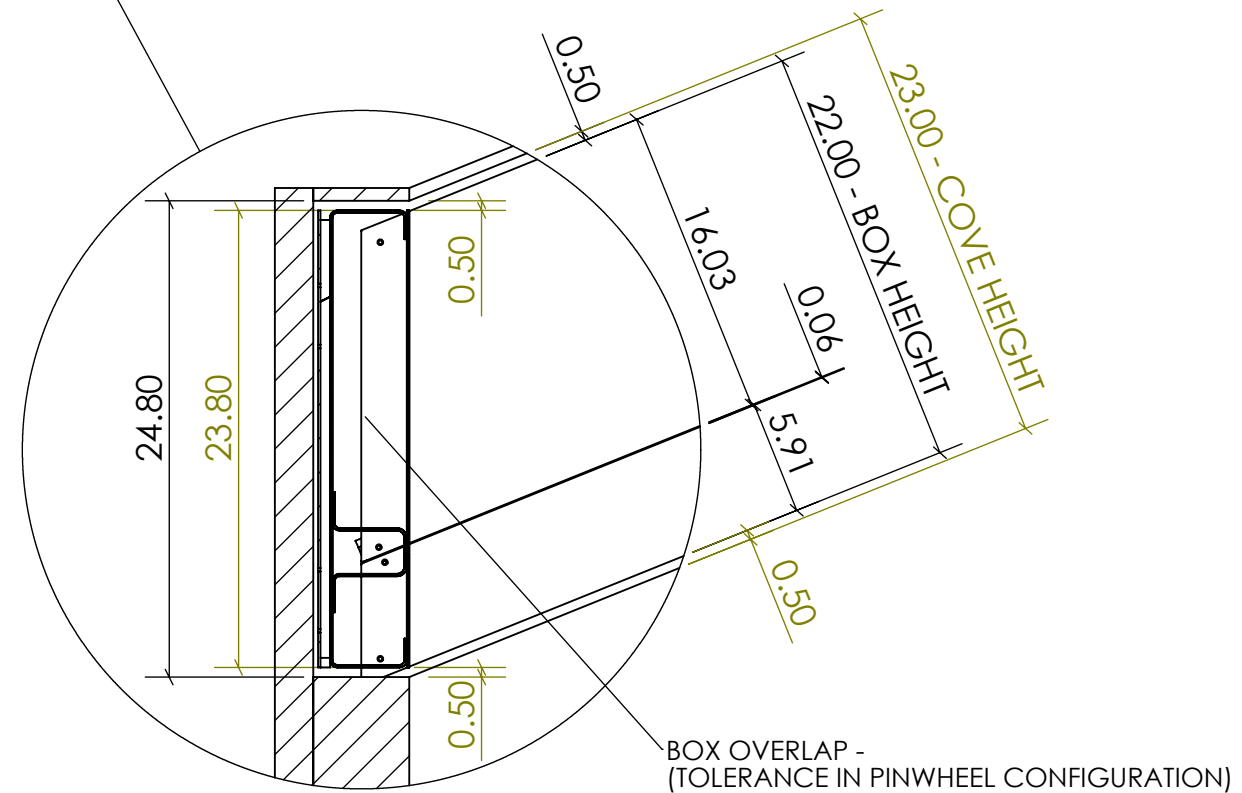


SECTION VIEW A-A - EAST WALL

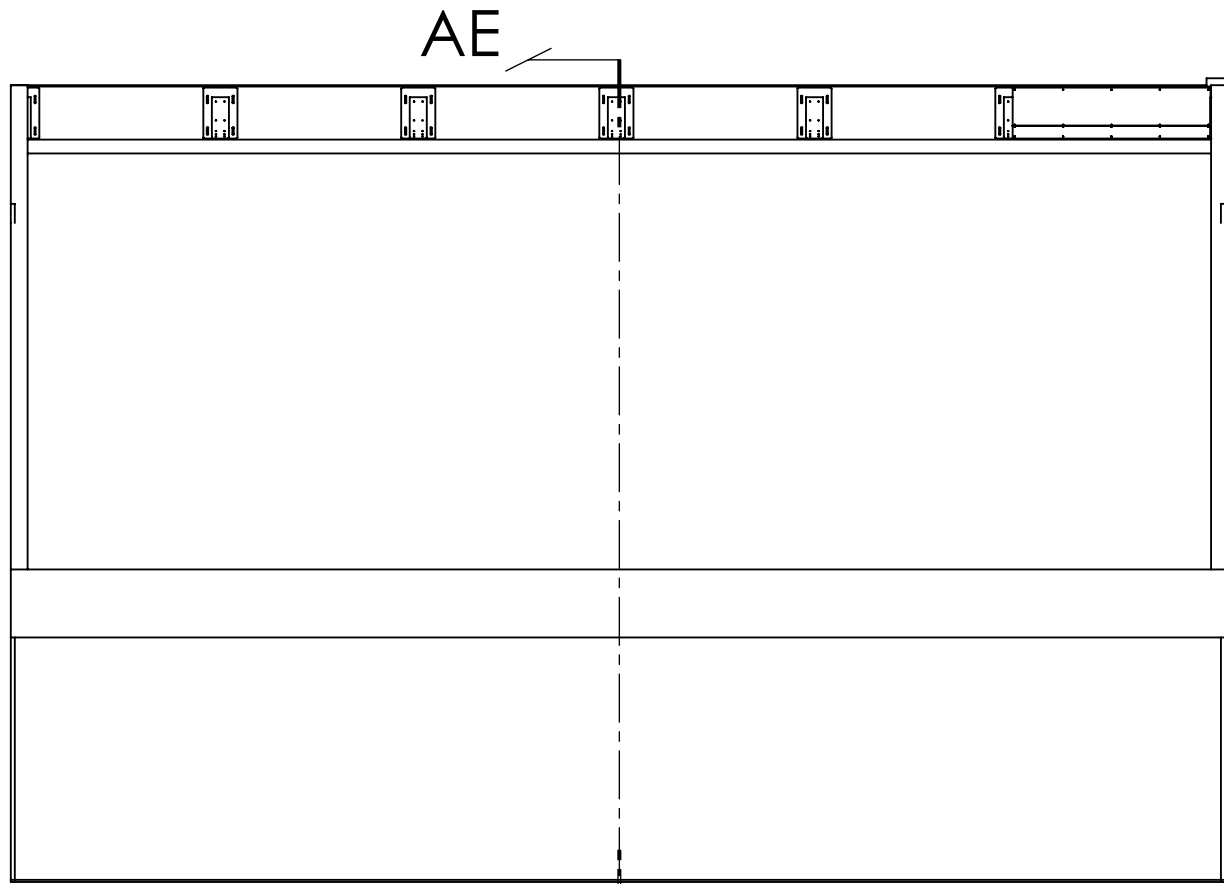




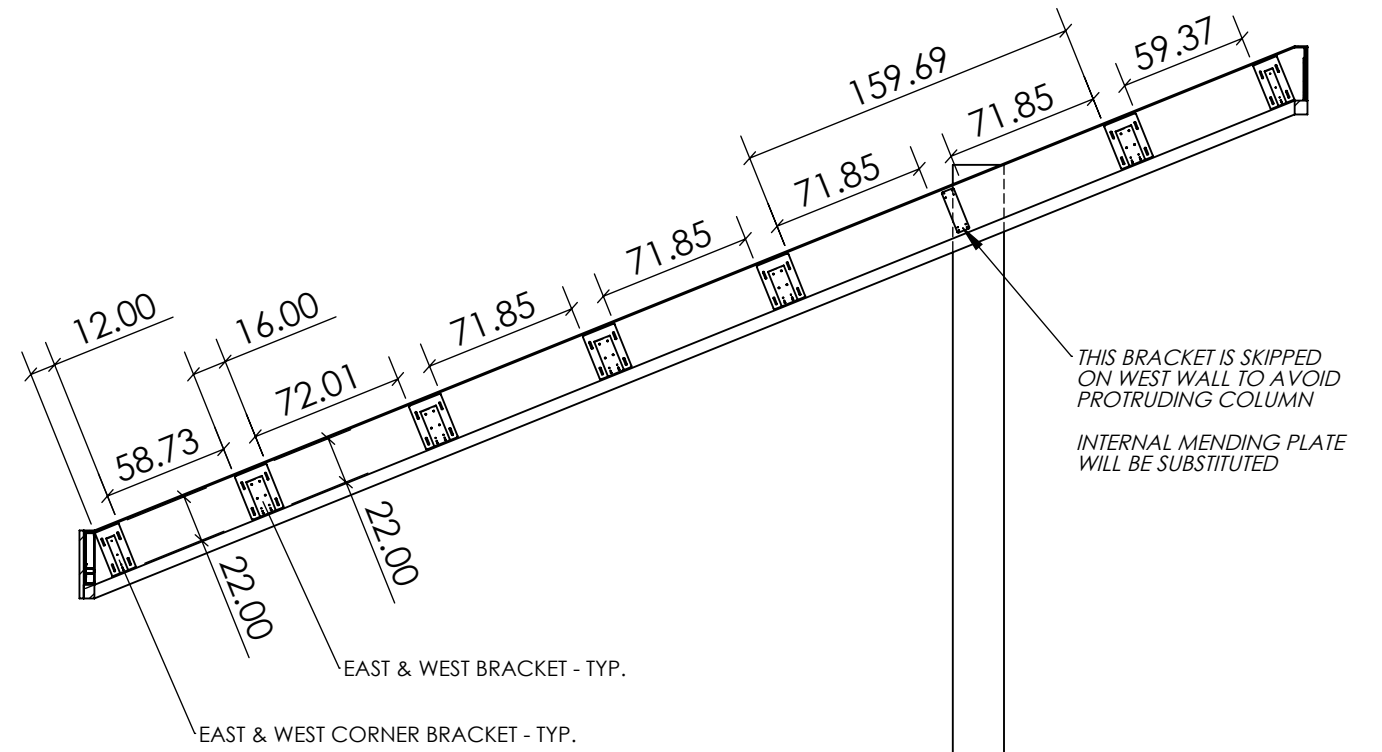
SECTION E-E - EAST ELEVATION



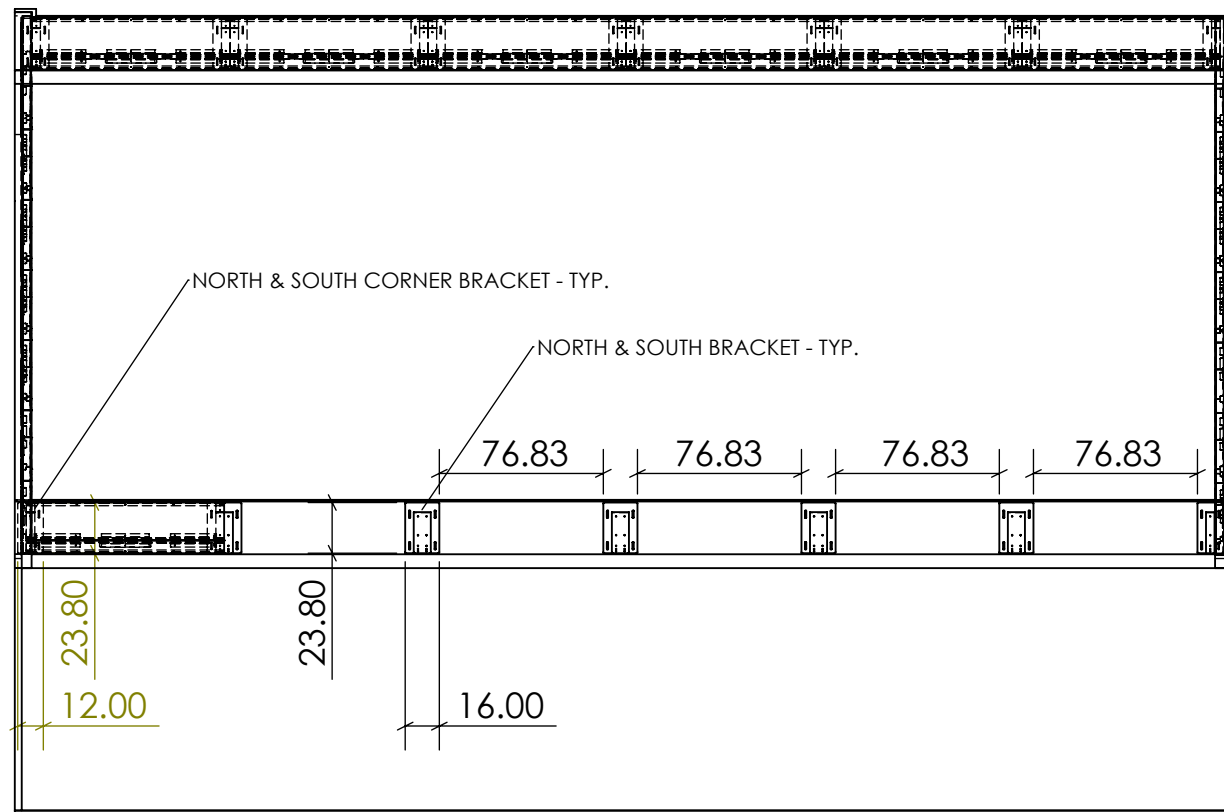
SECTION E-E - EAST ELEVATION DETAIL



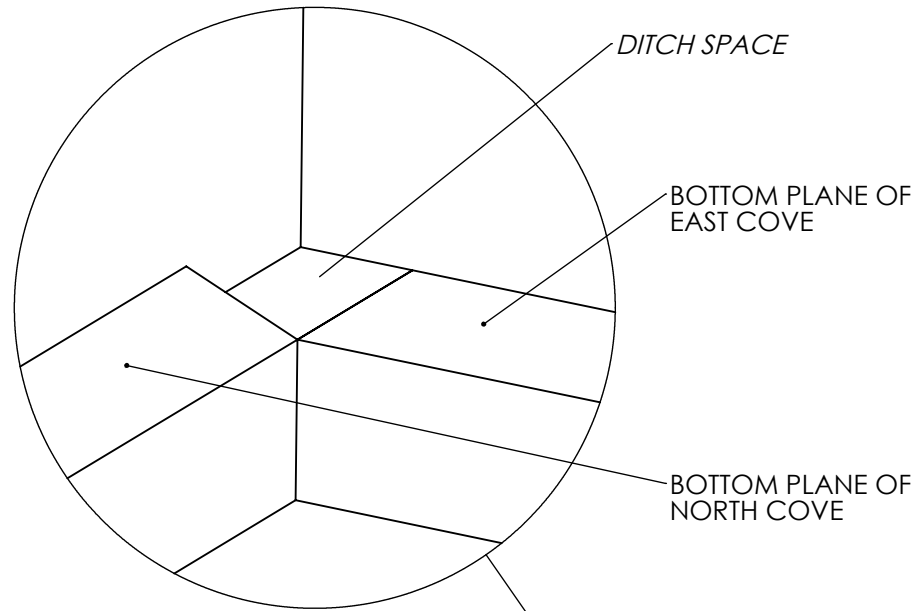
AE FRONT ELEVATION - (FACING SOUTH)



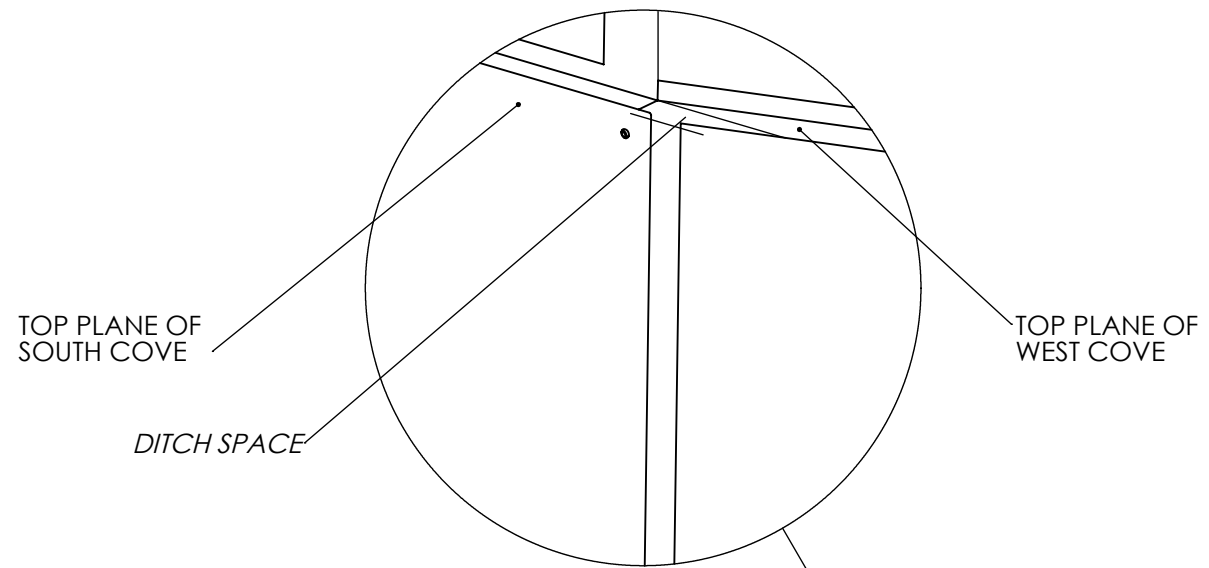
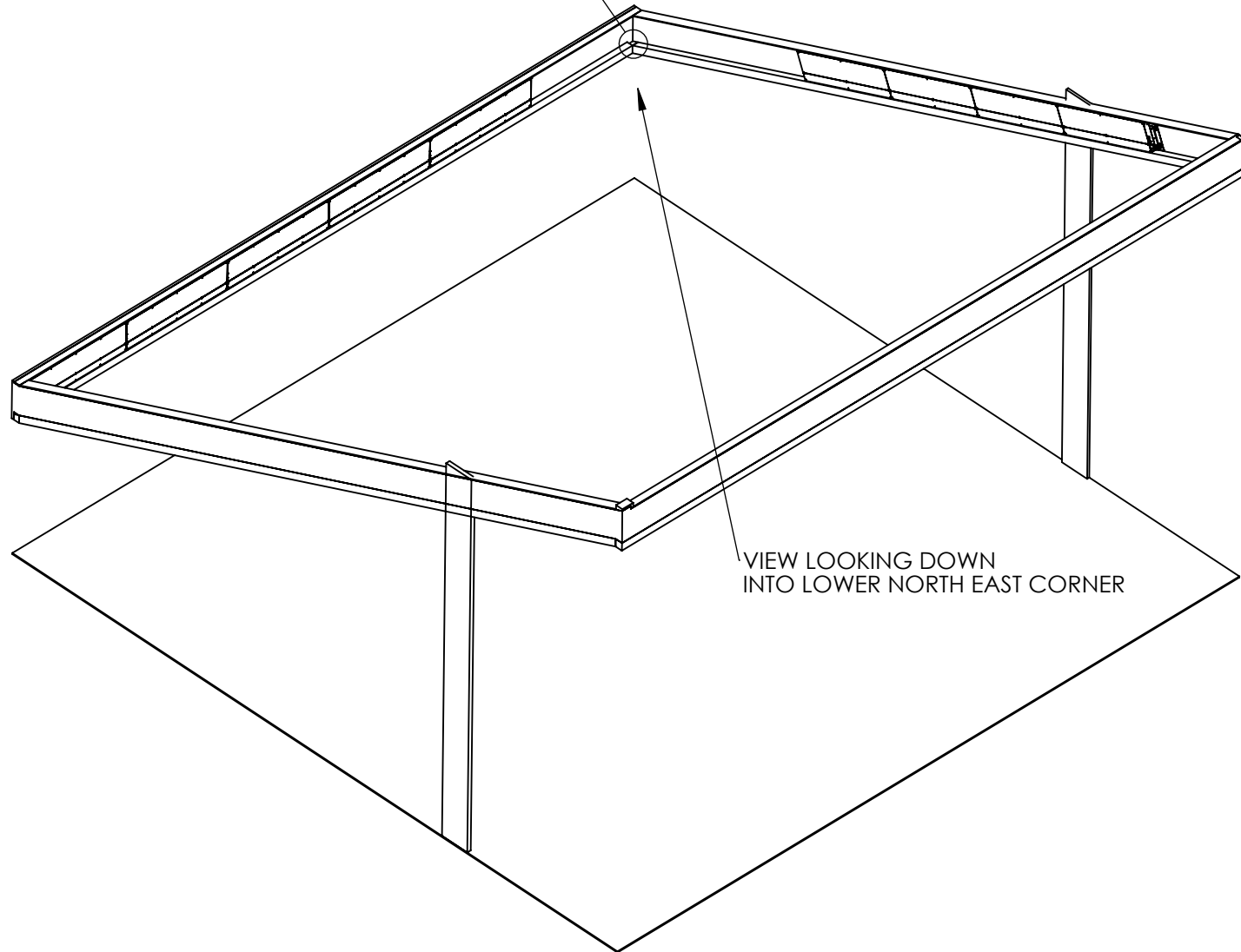
SECTION E-E - EAST ELEVATION



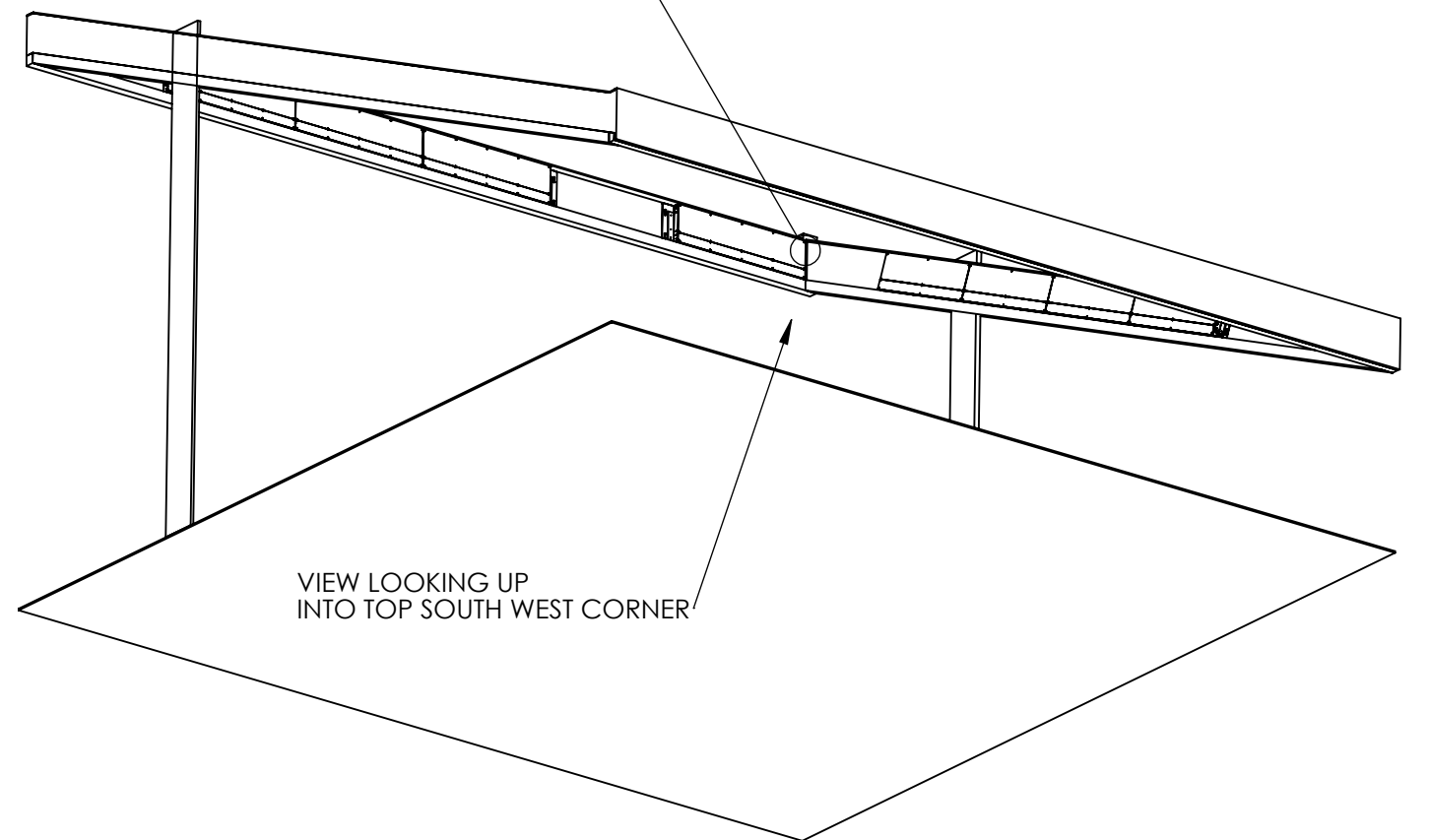
BACK ELEVATION - (FACING NORTH)



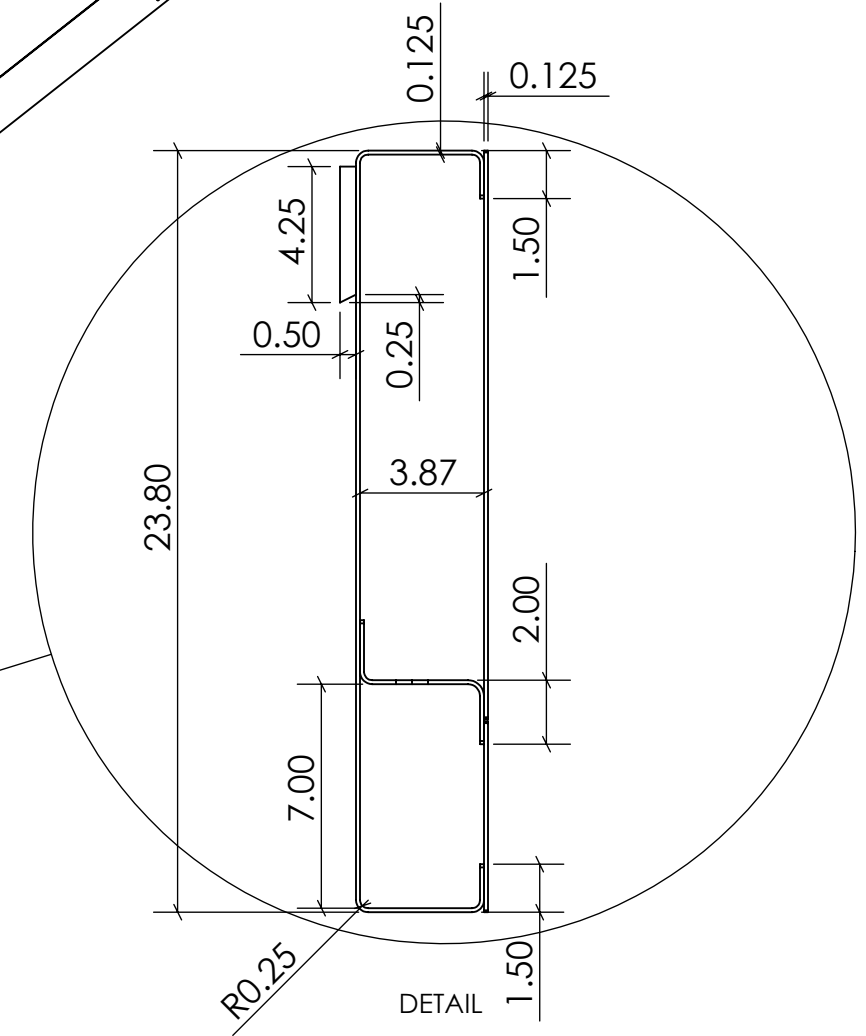
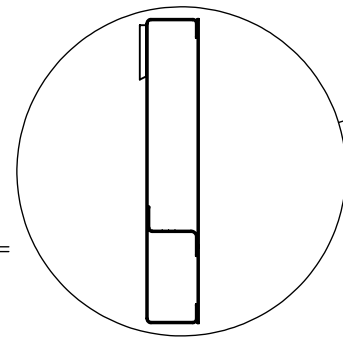
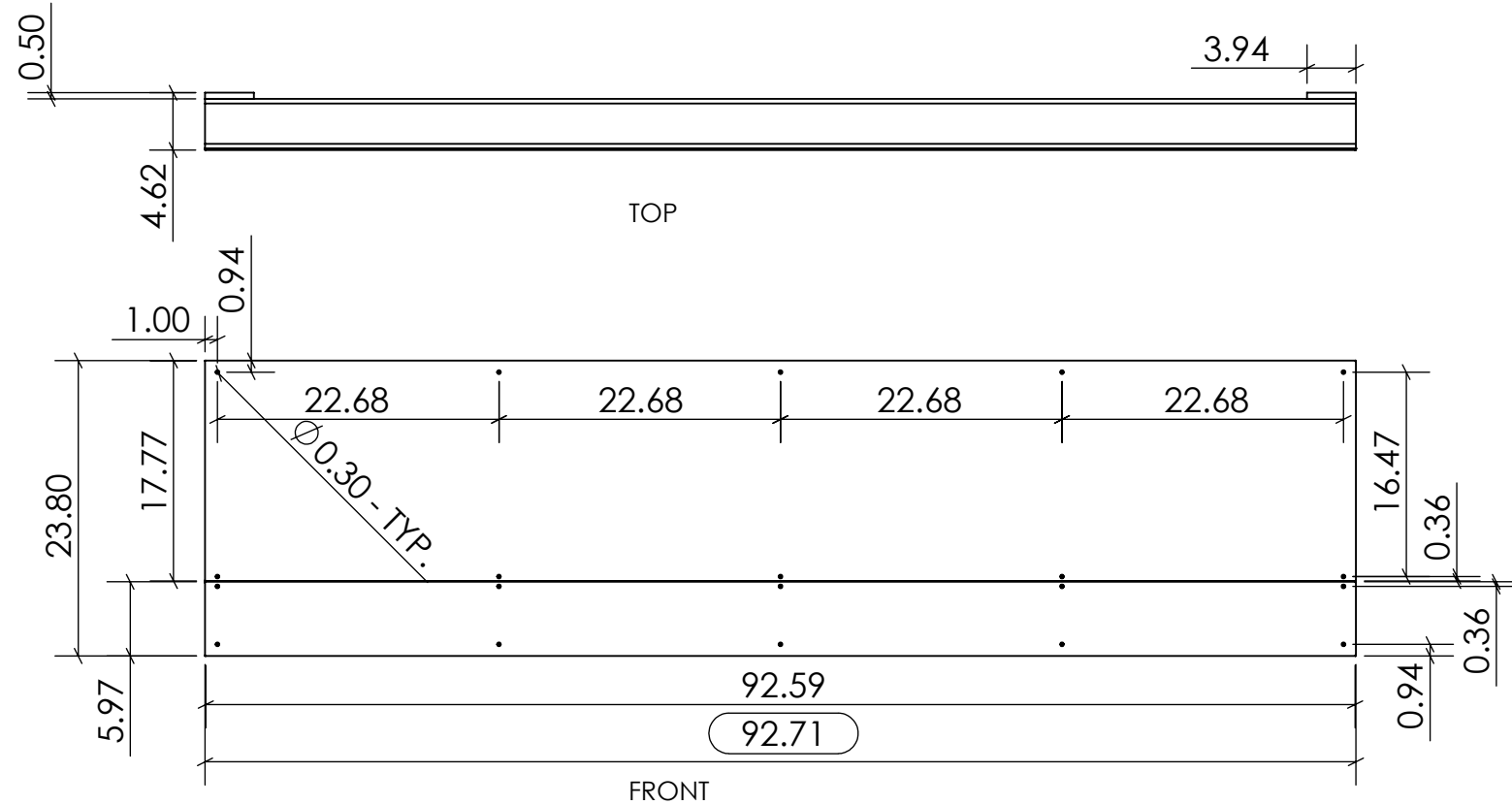
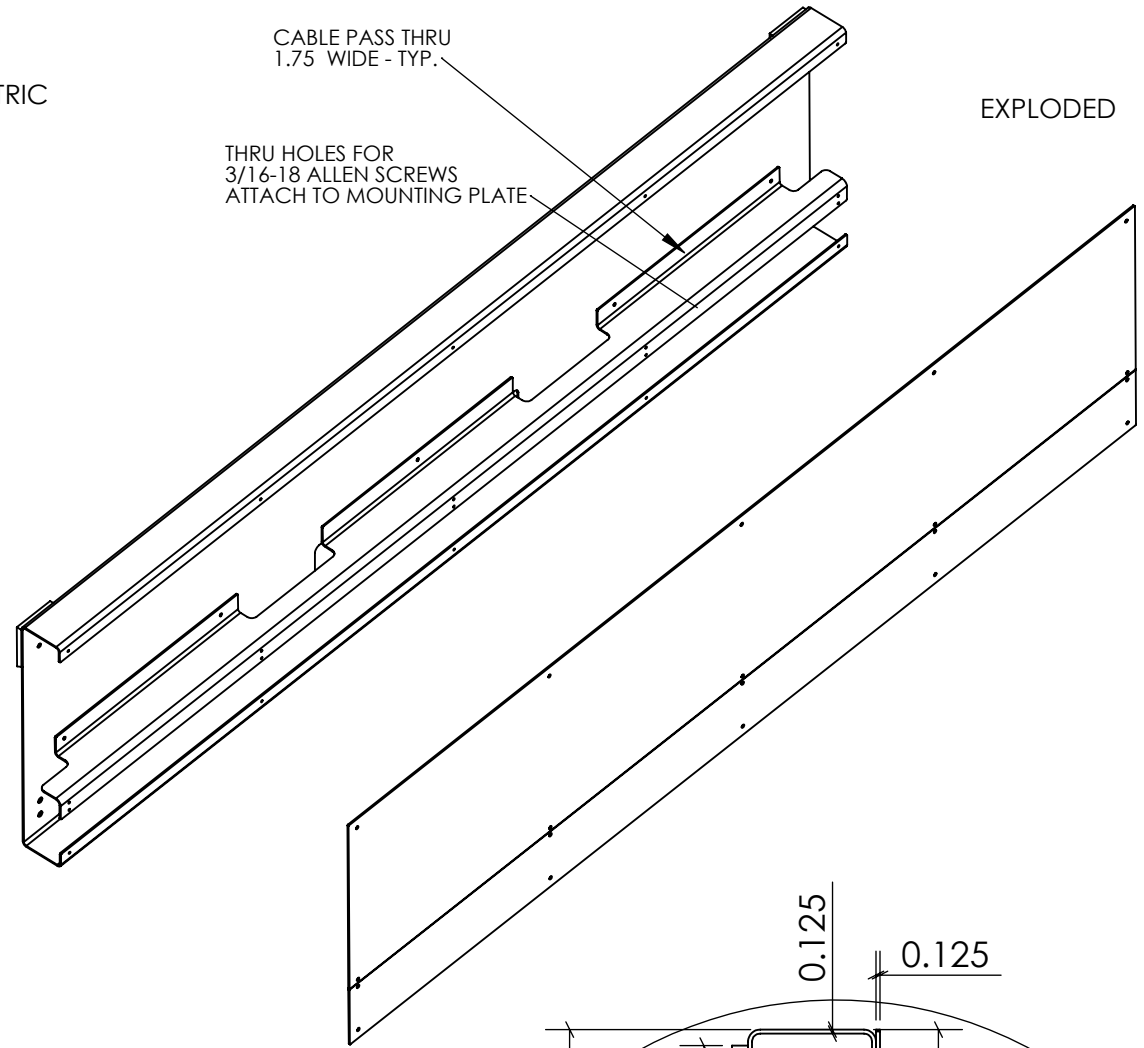
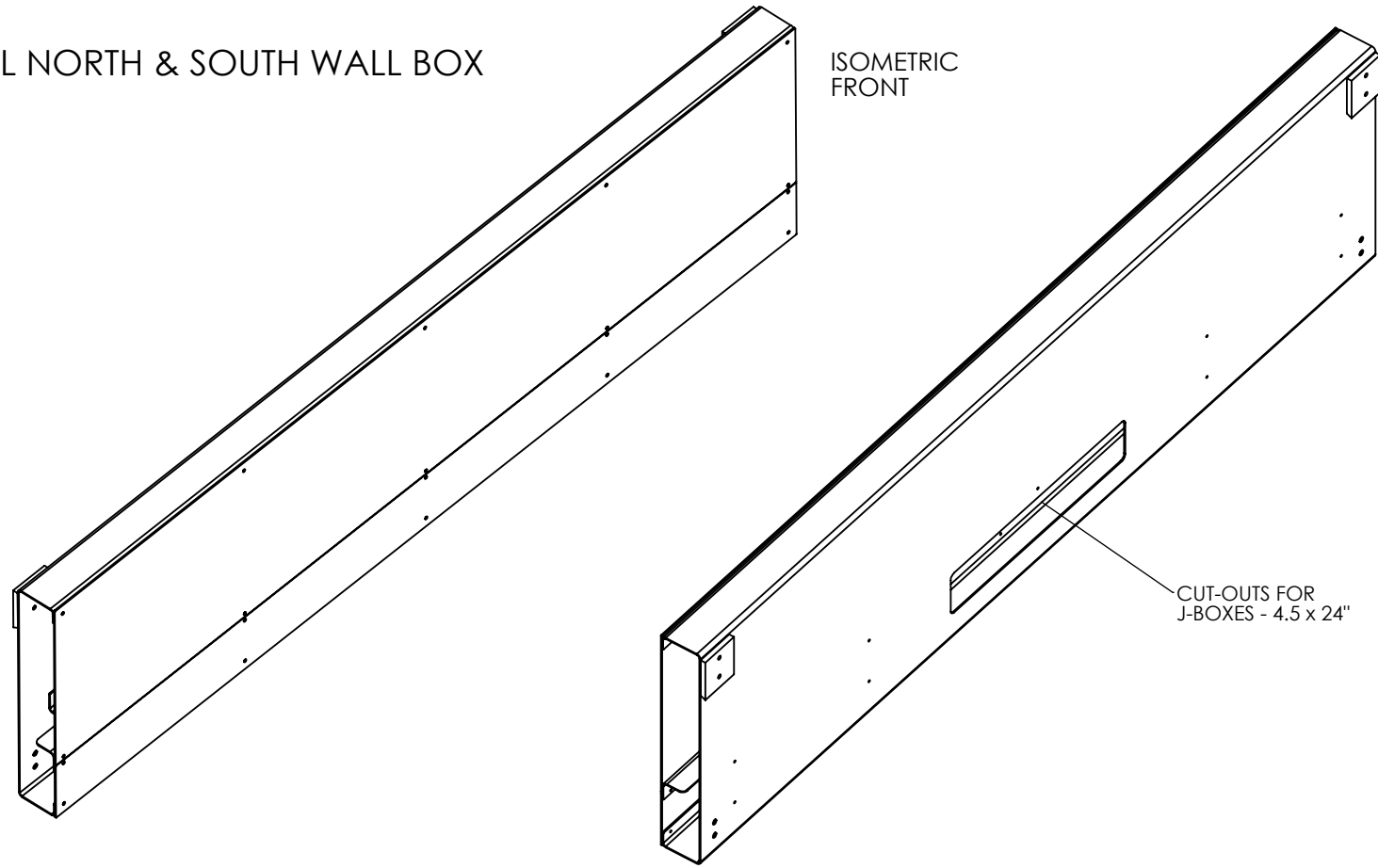
BOTTOM PLANE OF EAST COVE
CONTINUES PAST
BOTTOM PLANE OF NORTH COVE
CREATING *DITCH SPACE*
(NEEDED FOR PINWHEEL CONFIGURATION)



TOP PLANE OF WEST COVE
CONTINUES PAST
TOP PLANE OF SOUTH COVE
CREATING *DITCH SPACE*
(NEEDED FOR PINWHEEL CONFIGURATION)

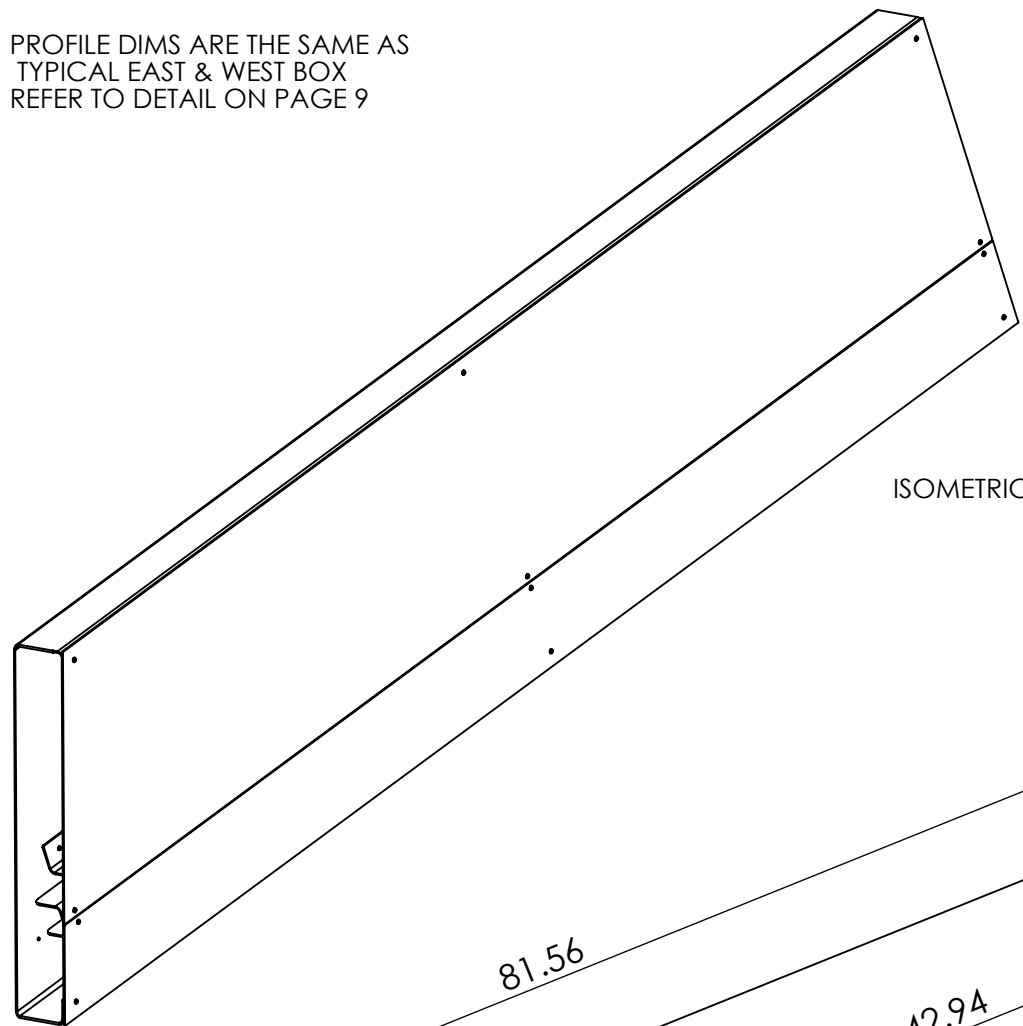


TYPICAL NORTH & SOUTH WALL BOX



LOWER EAST CORNER BOX

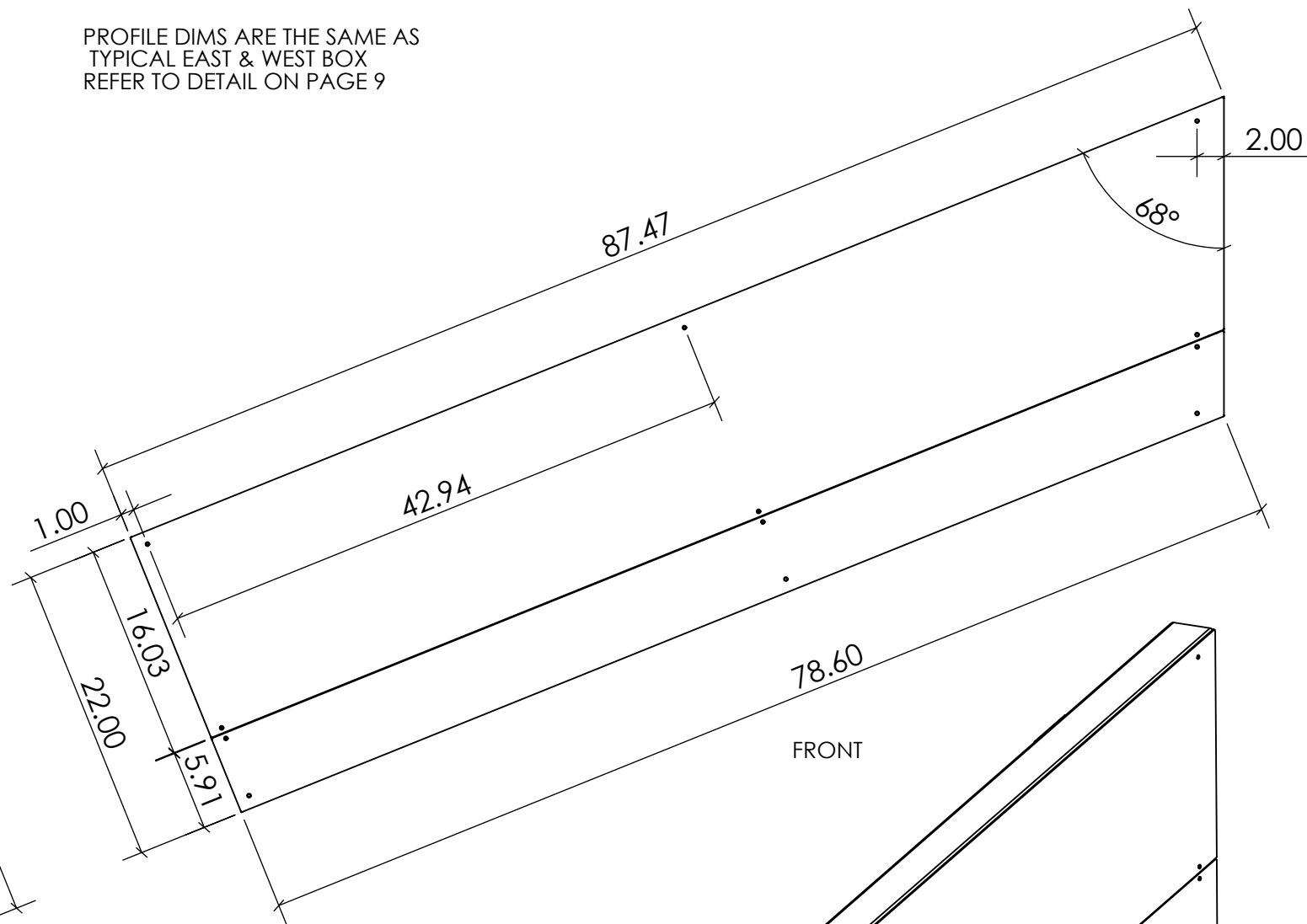
PROFILE DIMS ARE THE SAME AS
TYPICAL EAST & WEST BOX
REFER TO DETAIL ON PAGE 9



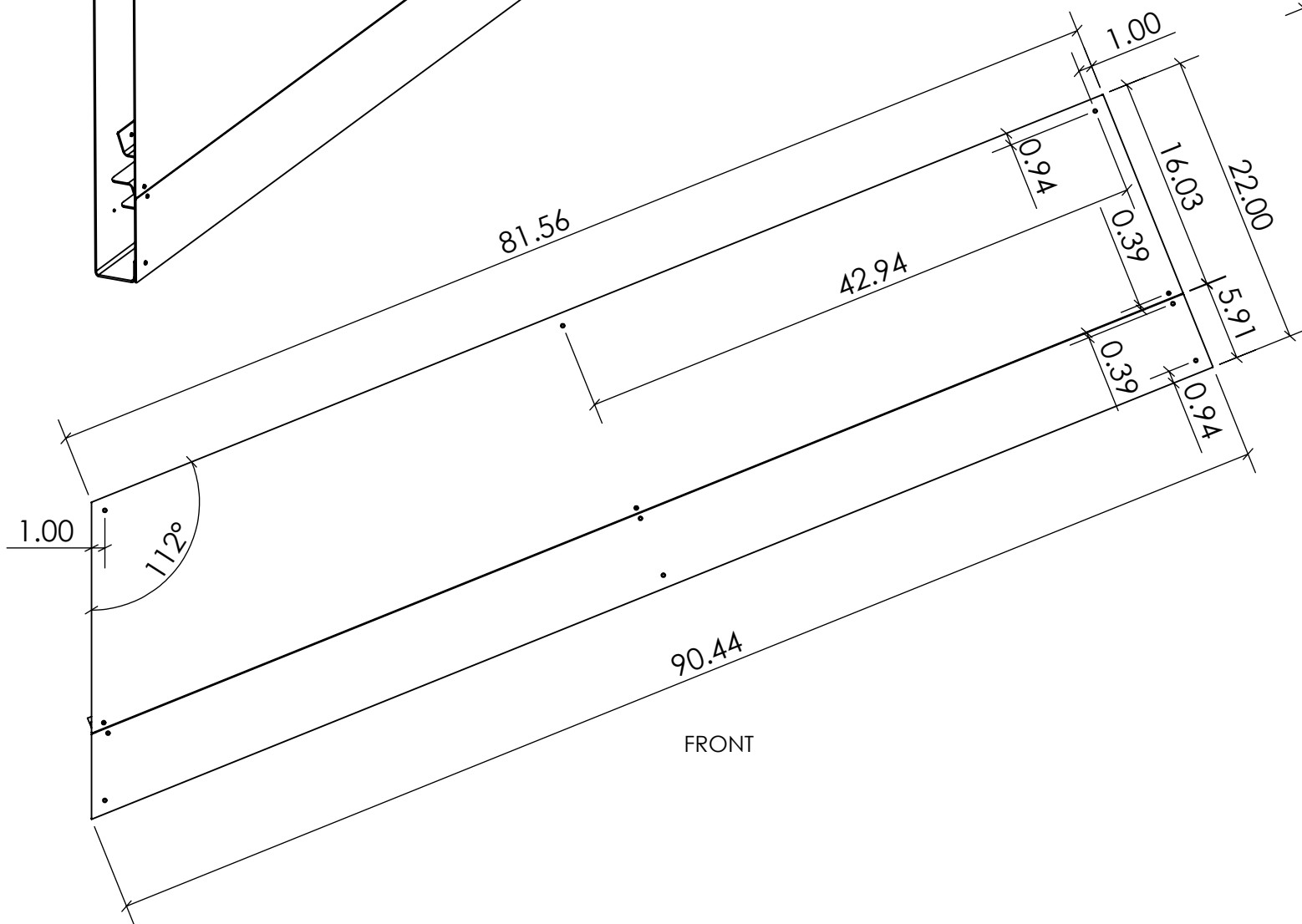
ISOMETRIC

UPPER EAST CORNER BOX

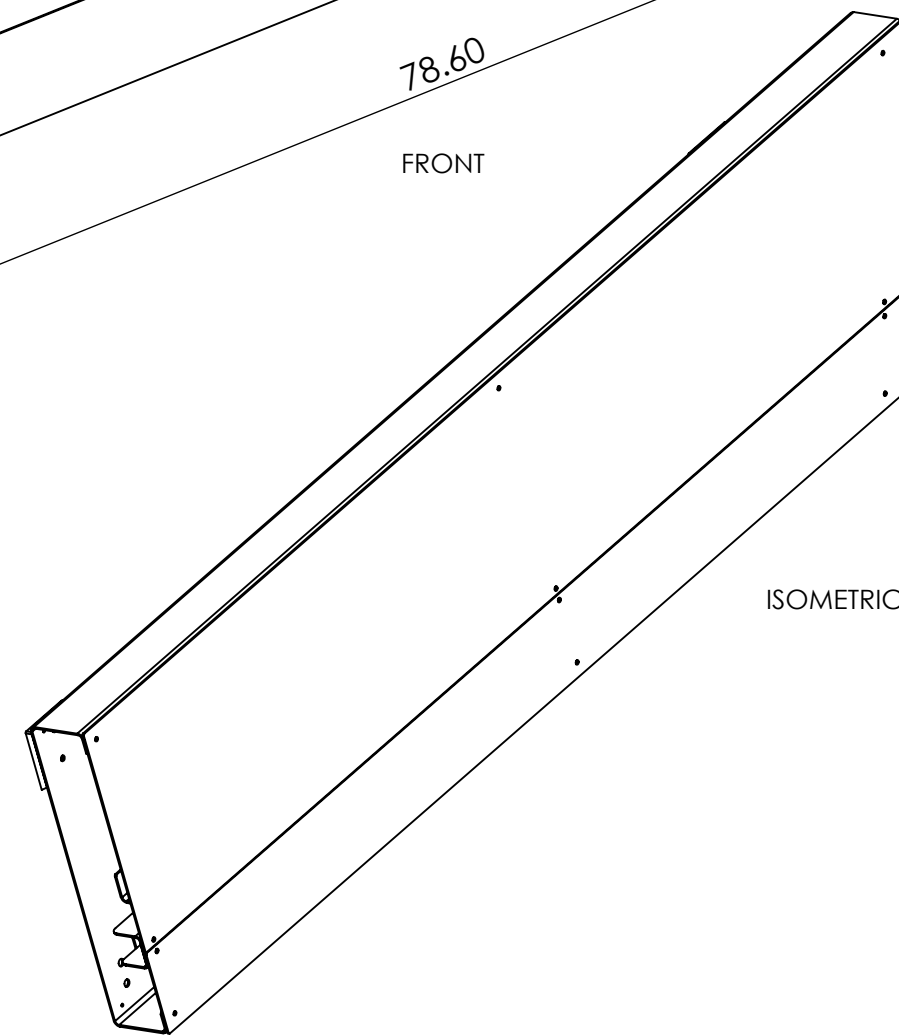
PROFILE DIMS ARE THE SAME AS
TYPICAL EAST & WEST BOX
REFER TO DETAIL ON PAGE 9



FRONT

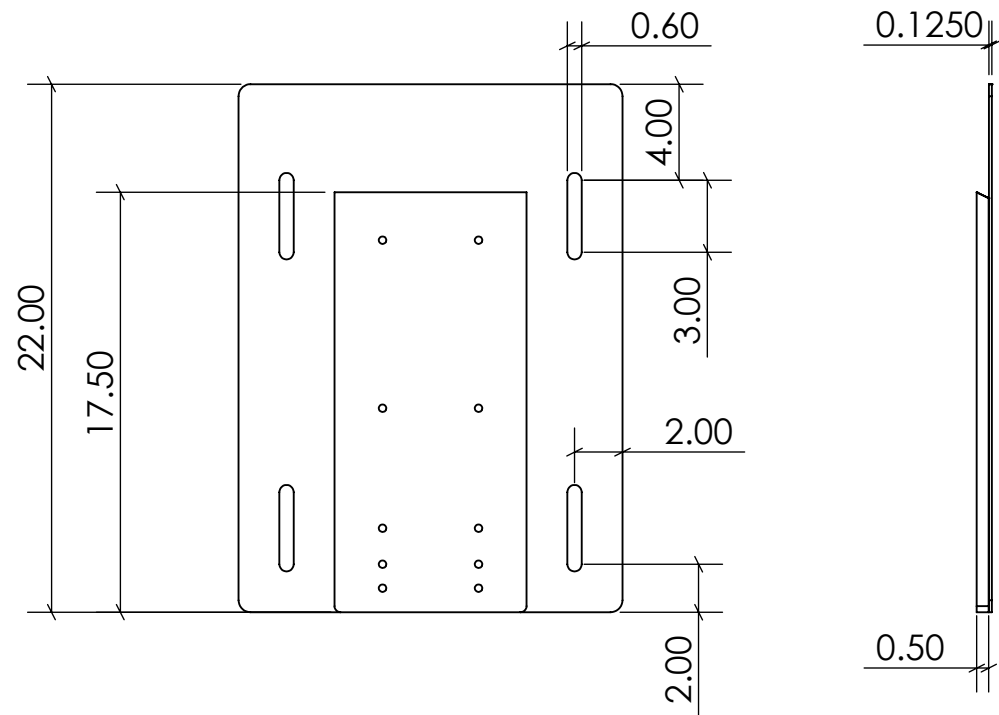


FRONT

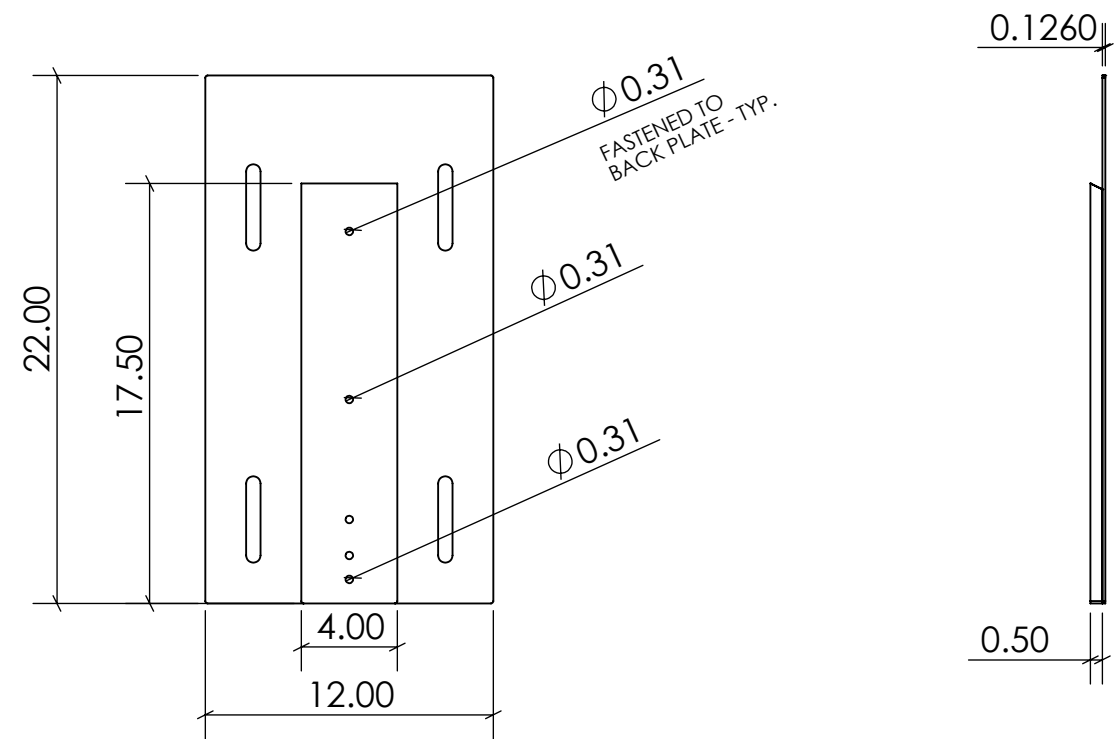


ISOMETRIC

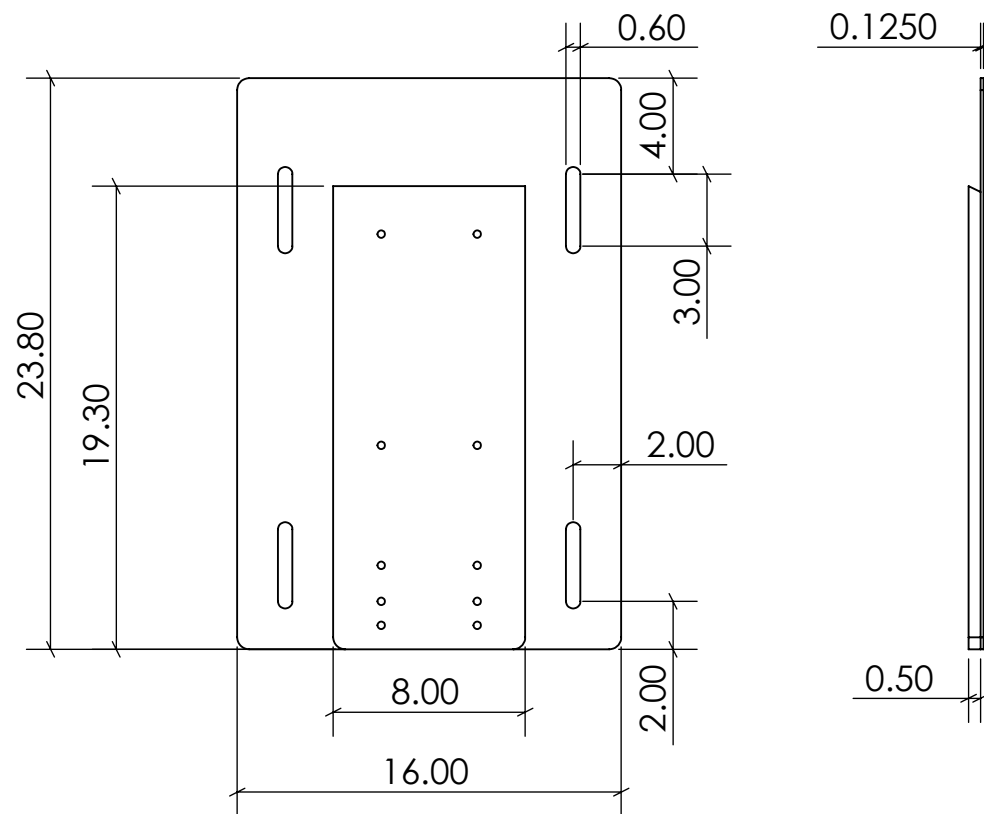
EAST & WEST WALL BRACKET



EAST & WEST WALL CORNER BRACKET



NORTH & SOUTH WALL BRACKET



NORTH & SOUTH WALL CORNER BRACKET

